

Axial coupler

■ Contact free transmission of energy and signals



### Application/customer benefits

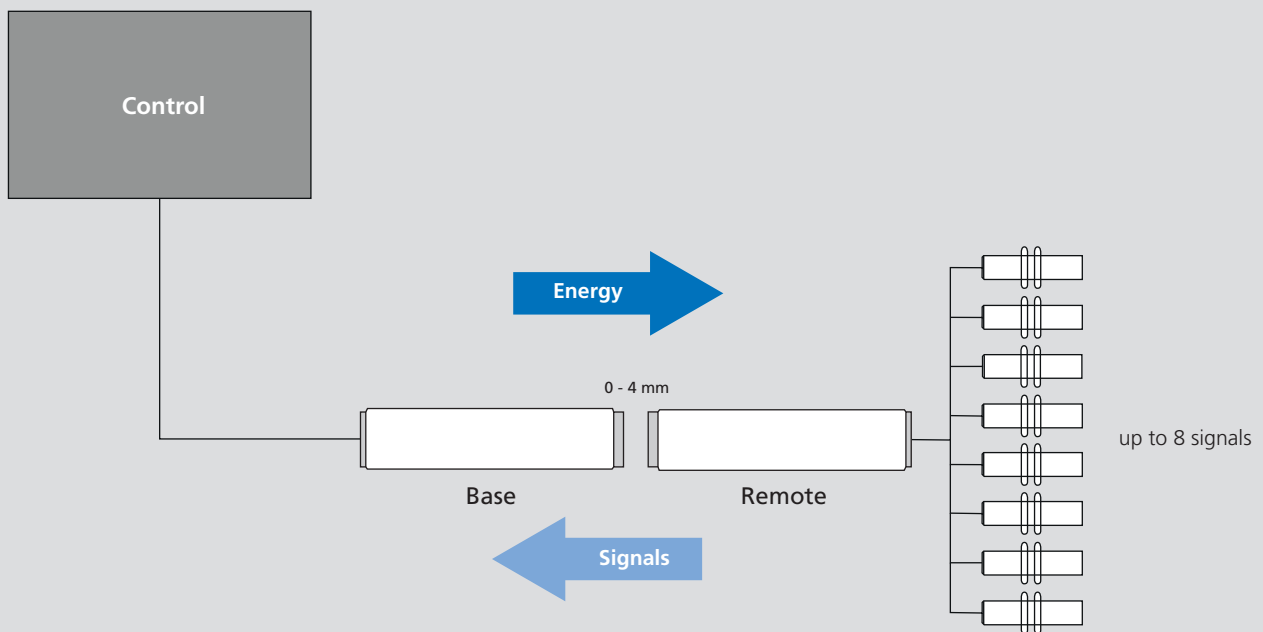
- Contact free transmission of energy and signals between stationary and moved components
- Application examples: Automation, piloting of magnet valves, reading of status signals, online monitoring of sensor signals in the remote area, contacting at rotary tables, plug replacement for SPS signals
- Dynamic Pairing
- Free from wear and maintenance
- Operating display

### Technical features

- Mounting M30 x 1.5
- Supply voltage 24V ± 10%
- Transmission distance 0 - 4 mm
- Transmission of energy: 24V / 12W (500mA)
- Transmission of signals: 8 digital signals (unidirectional)
- Inverse-polarity protection (base), short-circuit proof (remote)
- Id. No. Base: 0E010962
- Id. No. Remote: 0E010963
- Interfaces: Base male connector M12 (12-pin), remote female connector M12 (12-pin)
- Protection class: IP 67
- LED interface (base)
 

color:	green
slow flashing:	power on
static:	in position
fast flashing:	overload / short circuit

### Block diagram:

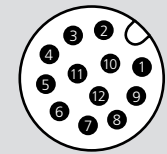
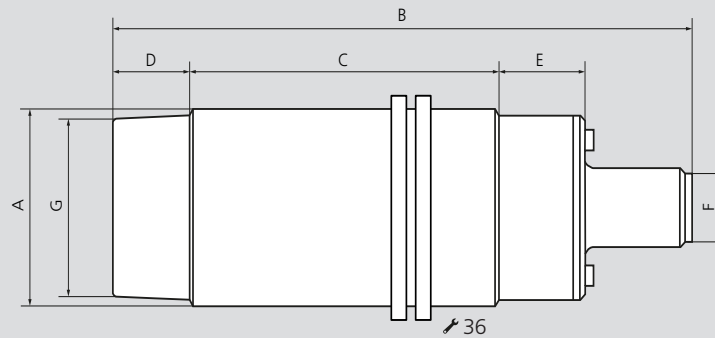


Subject to technical changes.  
For more detailed information please ask our customer service.

- Stationary Unit - Base
- Mobile Unit - Remote

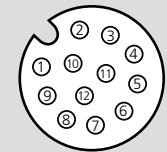
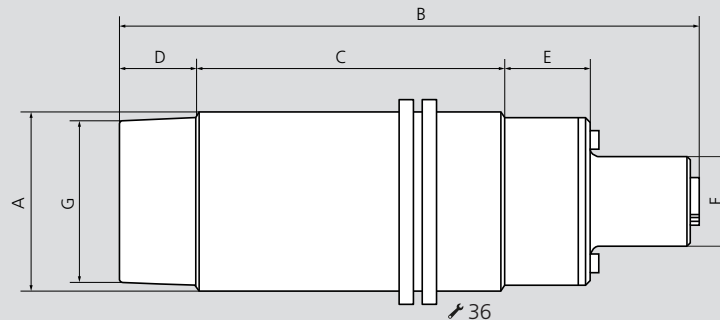
Axial coupler

**Base:**



Male connector  
12 pin

**Remote:**



Female connector  
12 pin

Subject to technical changes.  
For more detailed information please ask our customer service.

## Inductive Coupling System M30-8 PNP

SMW-Electronics Type			Base	Remote
Id. No.			0E010962	0E010963
<b>A Thread</b>	mm		M30 x 1.5	M30 x 1.5
<b>B</b>	mm		98	98
<b>C</b>	mm		52	52
<b>D</b>	mm		13	13
<b>E</b>	mm		14.5	14.5
<b>F</b>	mm		M12	M12 / Buchse
<b>G</b>	mm		Ø 27	Ø 27
<b>Housing material</b>			CuZn, PA66, PC GF 30%	CuZn, PA66, PC GF 30%
<b>Protection class</b>			IP67	IP67
<b>Operating temperature</b>			0°C ... +50°C	0°C ... +50°C
<b>Storage temperature</b>			-10° ... +70°C	-10° ... +70°C
<b>Coupling distance</b>			0 mm ... 4 mm	0 mm ... 4 mm
Operating voltage			24V ± 10% DC	-
Output voltage			-	24V ± 10% DC
Power consumption (Base)			< 500mA	-
Power output (Remote)			-	< 100mA
Overload protection / short circuit protection			✓	✓
Residual ripple			-	< 200mV
Reverse polarity protection			✓	-
Data-Valid Output			max. 100mA	-
Operational readiness			< 80 ms	< 100 ms
<b>PIN assignment</b>	<b>Color*</b>	<b>PIN</b>	<b>Signal Base</b>	<b>Signal Remote</b>
Supply voltage	BN	1	24V IN	24V OUT
Digital signal 1	BU	2	0 / 24V OUT	0 / 24V IN
Digital signal 2	WH	3	0 / 24V OUT	0 / 24V IN
Digital signal 3	GN	4	0 / 24V OUT	0 / 24V IN
Digital signal 4	PK	5	0 / 24V OUT	0 / 24V IN
Digital signal 5	YE	6	0 / 24V OUT	0 / 24V IN
Digital signal 6	BK	7	0 / 24V OUT	0 / 24V IN
Digital signal 7	GY	8	0 / 24V OUT	0 / 24V IN
Digital signal 8	RD	9	0 / 24V OUT	0 / 24V IN
Ground connection	VT	10	GND	GND
Data-Valid	GY/PK	11	0 / 24V OUT	-
-	RD/BU	12	-	-

\* Color code according to IEC 60757.